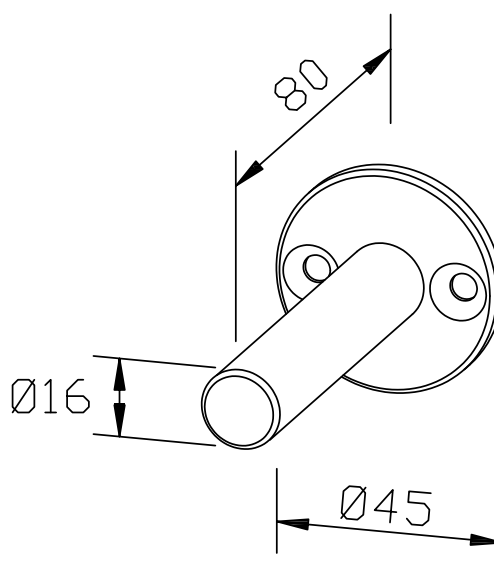


**Reserve toilet
roll holder
in stainless steel**

- Reserve toilet roll holder in stainless steel
AISI 303, solid turned.
- Fixing screws visible.
- Holder diameter 16 mm,
Length 80 mm.

**Suggested text for
specifications:**

Reserve toilet roll holder in stainless
steel AISI 303, solid turned.

Dimensions Ø 45 x 80 mm;
includes mounting components.

Article No. PC 222

